

**S8**  
indoor standard self-contained emergency lighting luminaires  
8 W fluorescent



0 660 00



0 660 01 + 6 608 66



0 660 03 + 0 660 90



0 660 01 + 0 660 90 + 0 660 92 + 0 610 01

**8 W fluorescent non-maintained, maintained and combined units**

Certified to IEC 60598-2-22 and EN 60598-2-22 standards  
IP 42  
Class II  
Power supply: 230 V +/- 10 % - 50/60 Hz  
Lamp and emergency operation test with a push-button  
Ni-Cd batteries  
Recharge time: 24 hours  
High capacity screw terminals: 2 x 2.5 mm<sup>2</sup>  
Charge monitor with a green LED

**1 h duration - 140 lm**

- 1 0 660 00 Non maintained - 140 lm - 1h (1 x 8 W)
- 1 0 660 01 Maintained - 140 lm - 1h (1 x 8 W)
- 1 0 660 02 Combined - 140 lm - 1h (2 x 8 W)

**3 h duration - 110 lm**

- 1 0 660 03 Non maintained - 110 lm - 3h (1 x 8 W)
- 1 0 660 04 Maintained - 110 lm - 3h (1 x 8 W)
- 1 0 660 05 Combined - 110 lm - 3h (2 x 8 W)

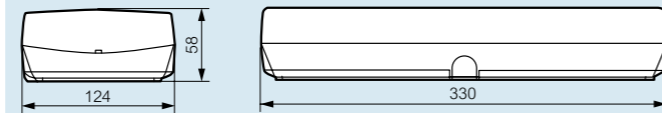
**Accessories**

- 1 0 660 90 Flush-mounting frame
- 1 0 660 92 Double-sided diffuser

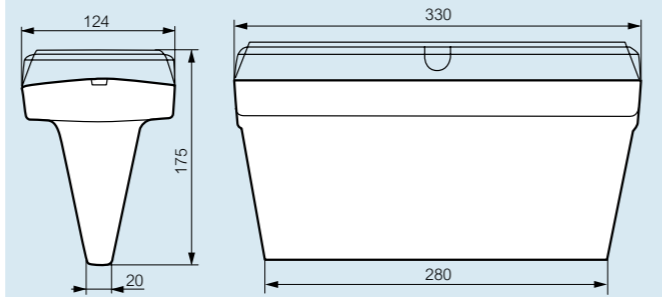
**S8**  
indoor standard self-contained emergency lighting luminaires  
8 W fluorescent

**Dimensions (in mm)**

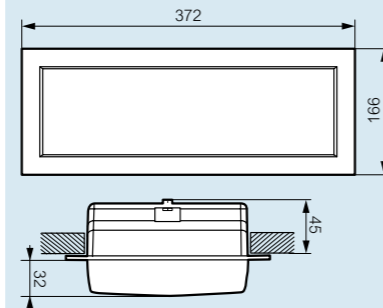
**Surface mounting**



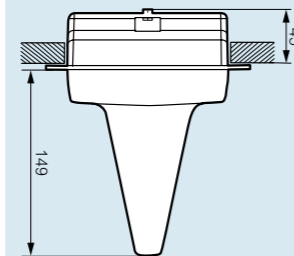
**Ceiling mounting with double-sided diffuser**



**Flush-mounting**



**With double-sided diffuser**



**Lamps and batteries**

Cat.Nos	Emergency lamps	Batteries
0 660 00/01/02	0 609 41	0 618 83
0 660 03/04/05	0 609 41	0 618 85

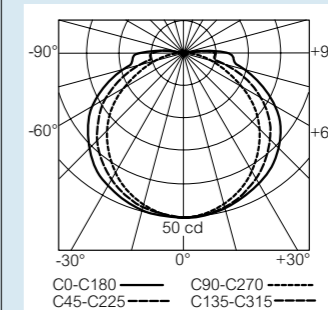
**Optical data**

Luminaire spacing, in metres, to provide 1 lux minimum illuminance

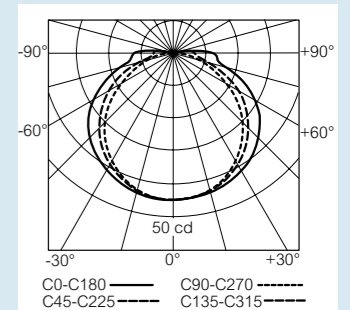
Ceiling mounting height (m)	Lighting level directly under luminaire (lux)	Axial to wall		Transverse to wall		
		Axial spacing D (m)	Transverse spacing D (m)	Axial spacing D (m)	Transverse spacing D (m)	
<b>0 660 00</b>						
2.5	6.2	3	3.8	4.3	3.3	
3	4.3	3	4	4.5	3.4	
3.5	3.2	3	4.2	4.7	3.3	
4	2.4	2.9	4.3	4.8	3.2	
4.5	1.9	2.7	4.3	4.8	3.2	
5	1.5	2.5	4.3	4.7	2.7	
5.5	1.3	2	4.2	4.6	2.2	
6	1.1	1.2	4	4.4	1.3	
<b>0 660 01</b>						
2.5	6.2	3	3.8	4.3	3.3	
3	4.3	3	4	4.5	3.4	
3.5	3.2	3	4.2	4.7	3.3	
4	2.4	2.9	4.3	4.8	3.2	
4.5	1.9	2.7	4.3	4.8	3	
5	1.5	2.5	4.3	4.7	2.7	
5.5	1.3	2	4.2	4.6	2.2	
6	1.1	1.2	4	4.4	1.3	
<b>0 660 02</b>						
2.5	6.7	3	3.8	4/4.5	3.2/3.5	
3	4.6	3.1	4.1	4.3/4.7	3.3/3.6	
3.5	3.4	3.1	4.2	4.4/4.9	3.3/3.5	
4	2.6	3	4.4	4.6/5	3.2/3.4	
4.5	2	2.9	4.4	4.7/5.1	3.1/3.3	
5	1.7	2.6	4.4	4.7/5	2.8/2.9	
5.5	1.4	2.3	4.3	4.6/4.9	2.4/2.5	
6	1.1	1.6	4.2	4.5/4.8	1.8/1	
<b>0 660 03</b>						
2.5	4.9	2.7	3.5	4	3	
3	3.4	2.7	3.7	4.2	3	
3.5	2.5	2.6	3.8	4.2	2.9	
4	1.9	2.4	3.8	4.2	2.7	
4.5	1.5	2.1	3.8	4.2	2.3	
5	1.2	1.6	3.7	4.1	1.7	
5.5	1	0.5	3.5	3.8	0.5	
<b>0 660 04</b>						
2.5	4.9	2.7	3.5	3.9	3	
3	3.4	2.7	3.7	4.1	3	
3.5	2.5	2.6	3.7	4.2	2.9	
4	1.9	2.4	3.8	4.2	2.6	
4.5	1.5	2.1	3.7	4.2	2.3	
5	1.2	1.6	3.6	4	1.7	
5.5	1	0.3	3.5	3.8	0.4	
<b>0 660 05</b>						
2.5	5.2	2.7	3.5	3.7/4.1	2.9/3.1	
3	3.6	2.7	3.7	3.9/4.4	2.9/3.2	
3.5	2.7	2.7	3.8	4.1/4.5	2.9/3	
4	2	2.5	3.9	4.2/4.5	2.7/2.9	
4.5	1.6	2.3	3.9	4.1/4.5	2.5/2.6	
5	1.3	1.8	3.8	4.1/4.3	2/2.1	
5.5	1.1	1.1	3.7	3.9/4.1	1.1/1.2	

**Distribution of luminous intensity in cd/1000 lm**

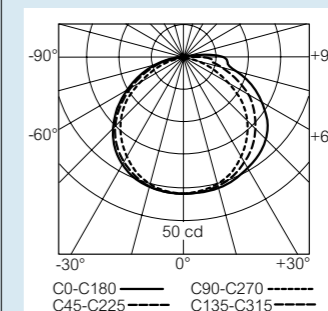
Cat.No 0 660 00



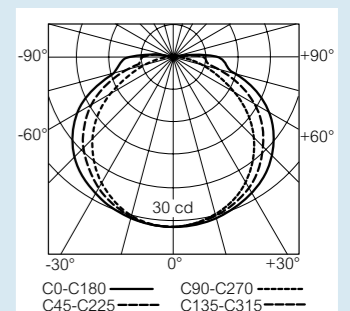
Cat.No 0 660 01



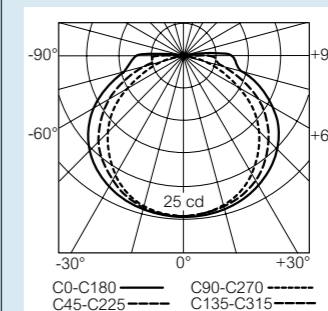
Cat.No 0 660 02



Cat.No 0 660 03



Cat.No 0 660 04



Cat.No 0 660 05

